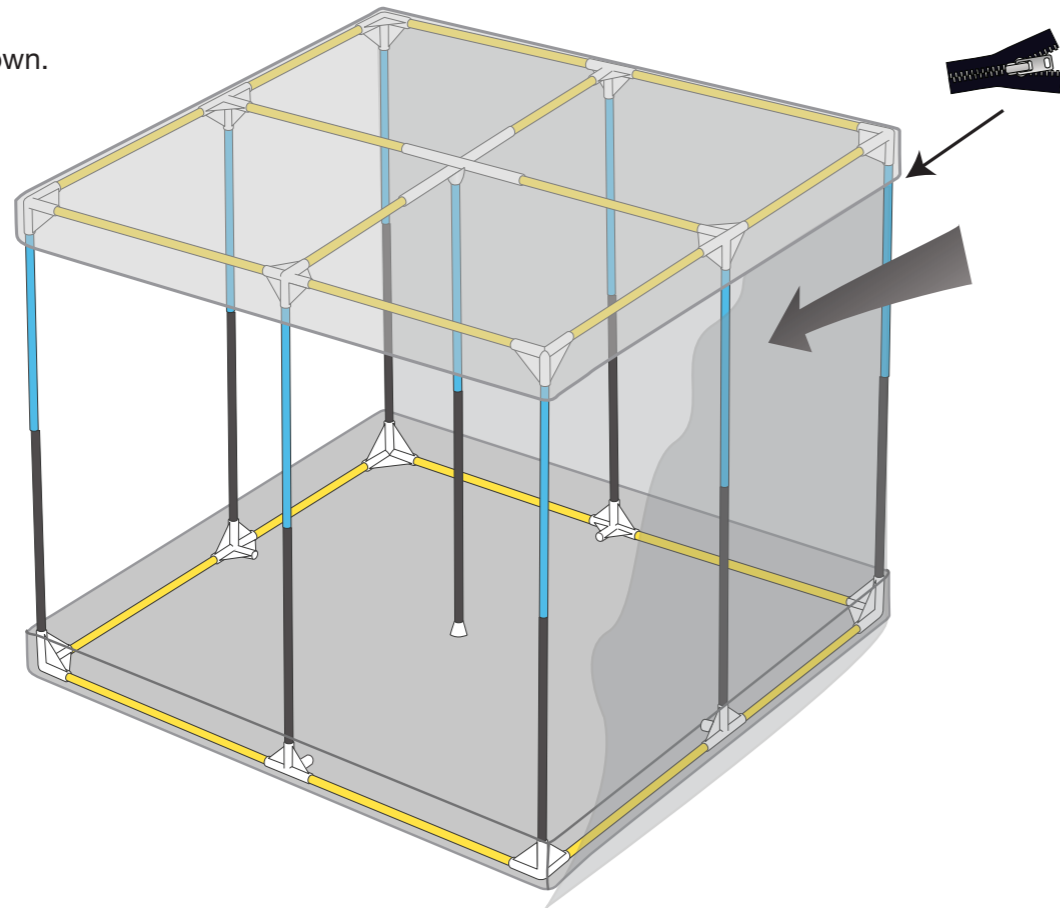


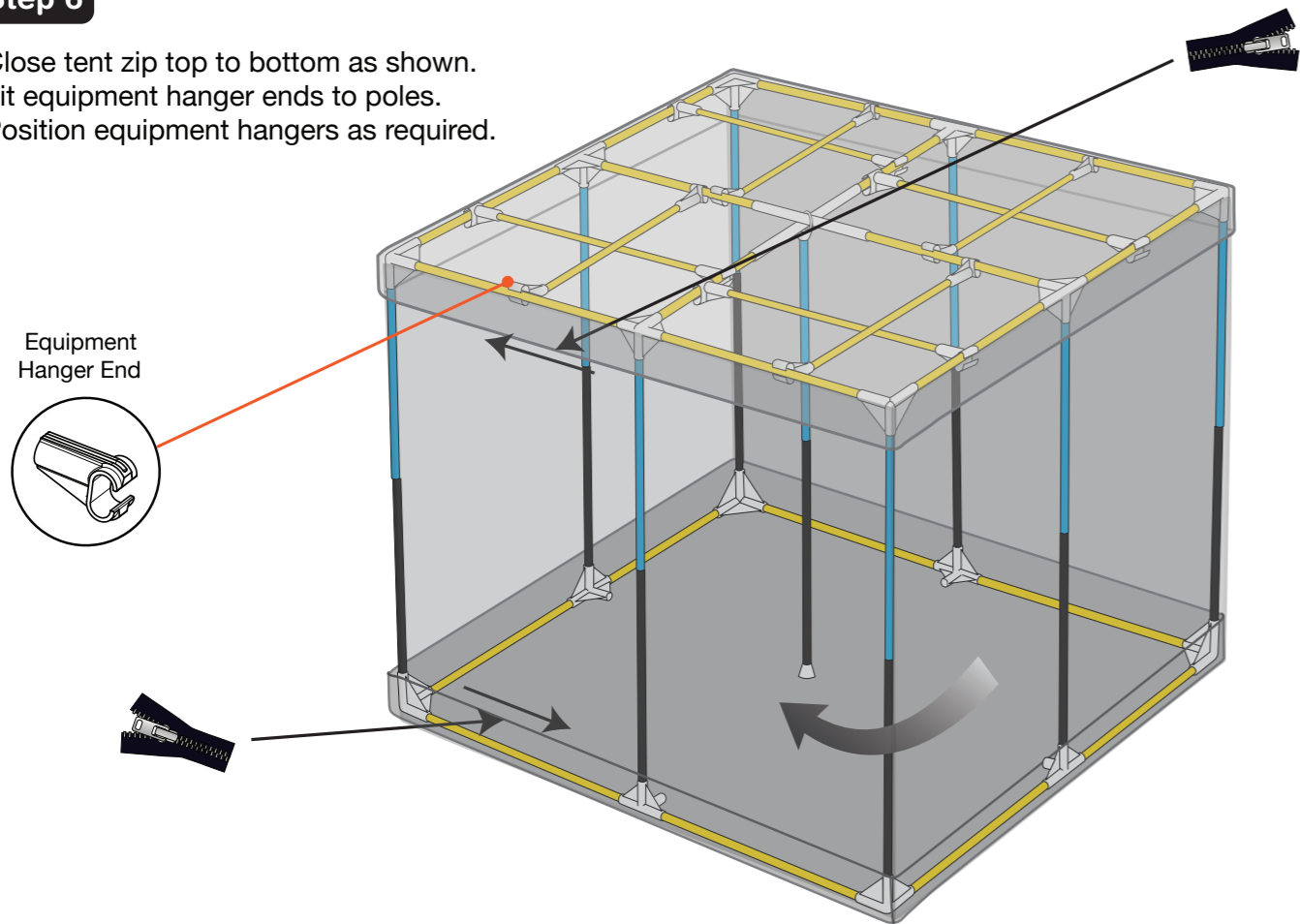
Step 5

Close tent zip starting top right as shown.



Step 6

Close tent zip top to bottom as shown. Fit equipment hanger ends to poles. Position equipment hangers as required.



Assembly Instructions

Two Person Assembly



Mammoth Lite+ 150 Assembly Guide

Equipment Hangers

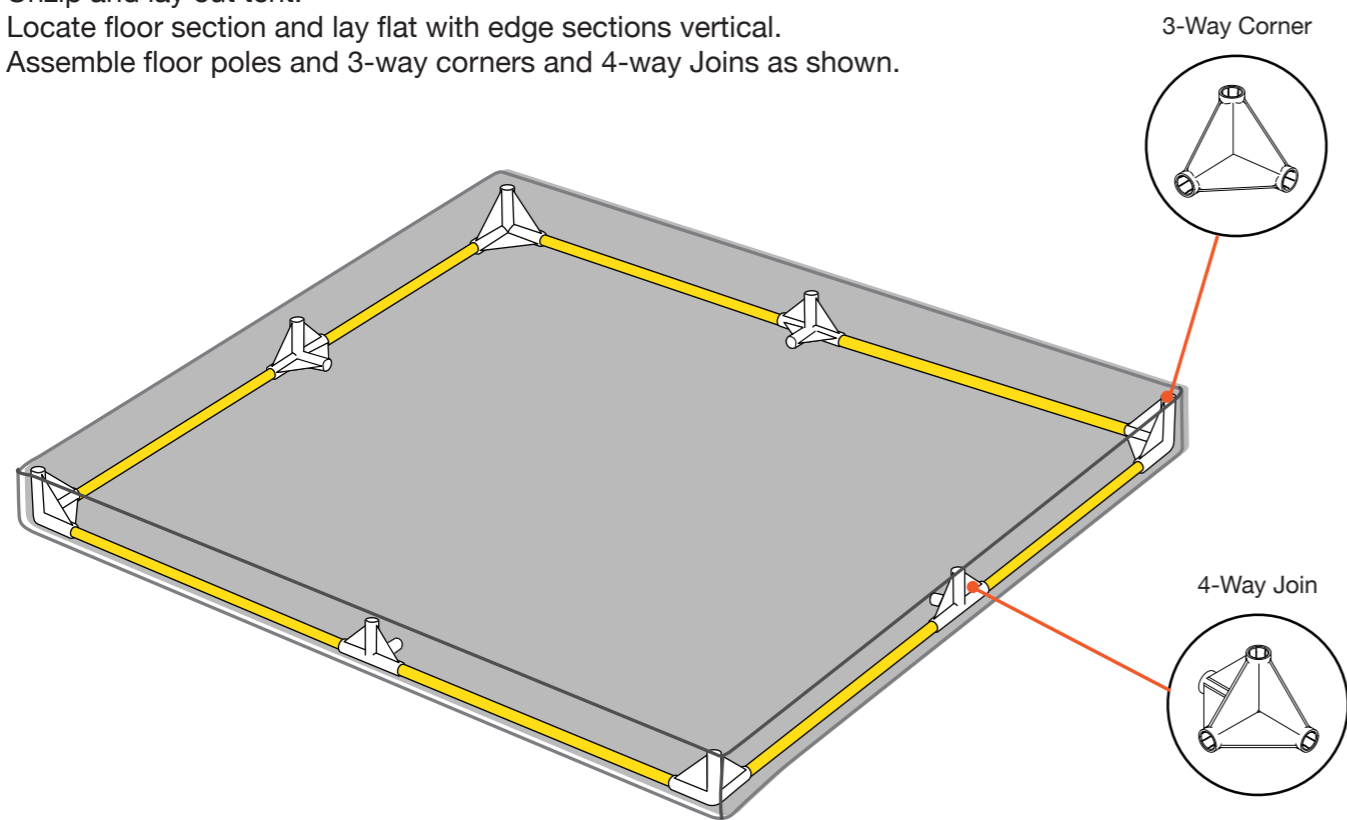


Parts List

- Yellow Pole x28
- Blue Pole x9
- Black Pole x9
- 3-Way Corner x8
- 4-Way Join x8
- Equipment Hanger Ends x16
- Support Pole Rubber Foot x1
- Support Pole Rubber Top x1
- Straight Pole Connectors x2
- Centre Securing Ring x1

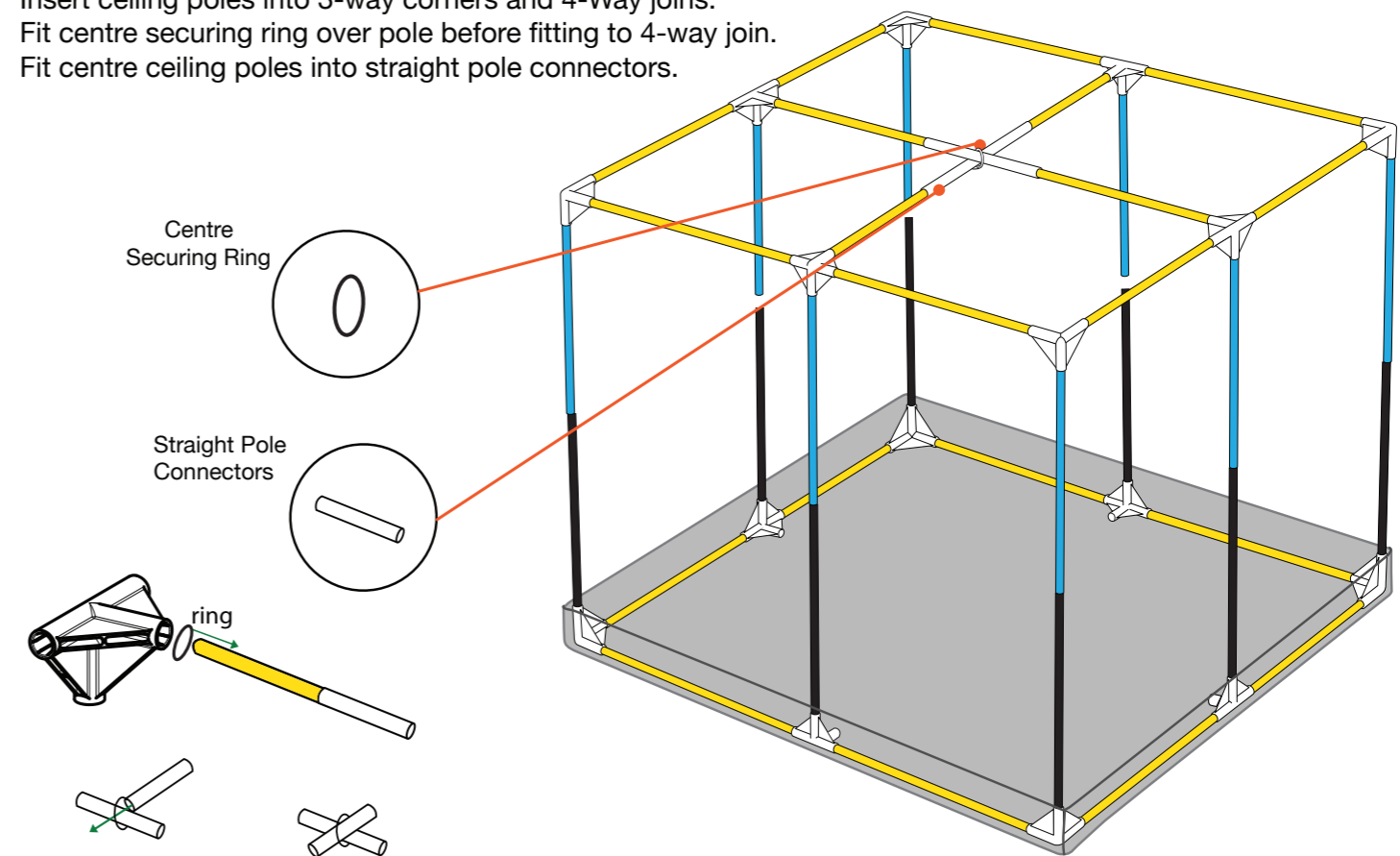
Step 1

Organise poles and connectors into their colours and groups.
Unzip and lay out tent.
Locate floor section and lay flat with edge sections vertical.
Assemble floor poles and 3-way corners and 4-way Joins as shown.



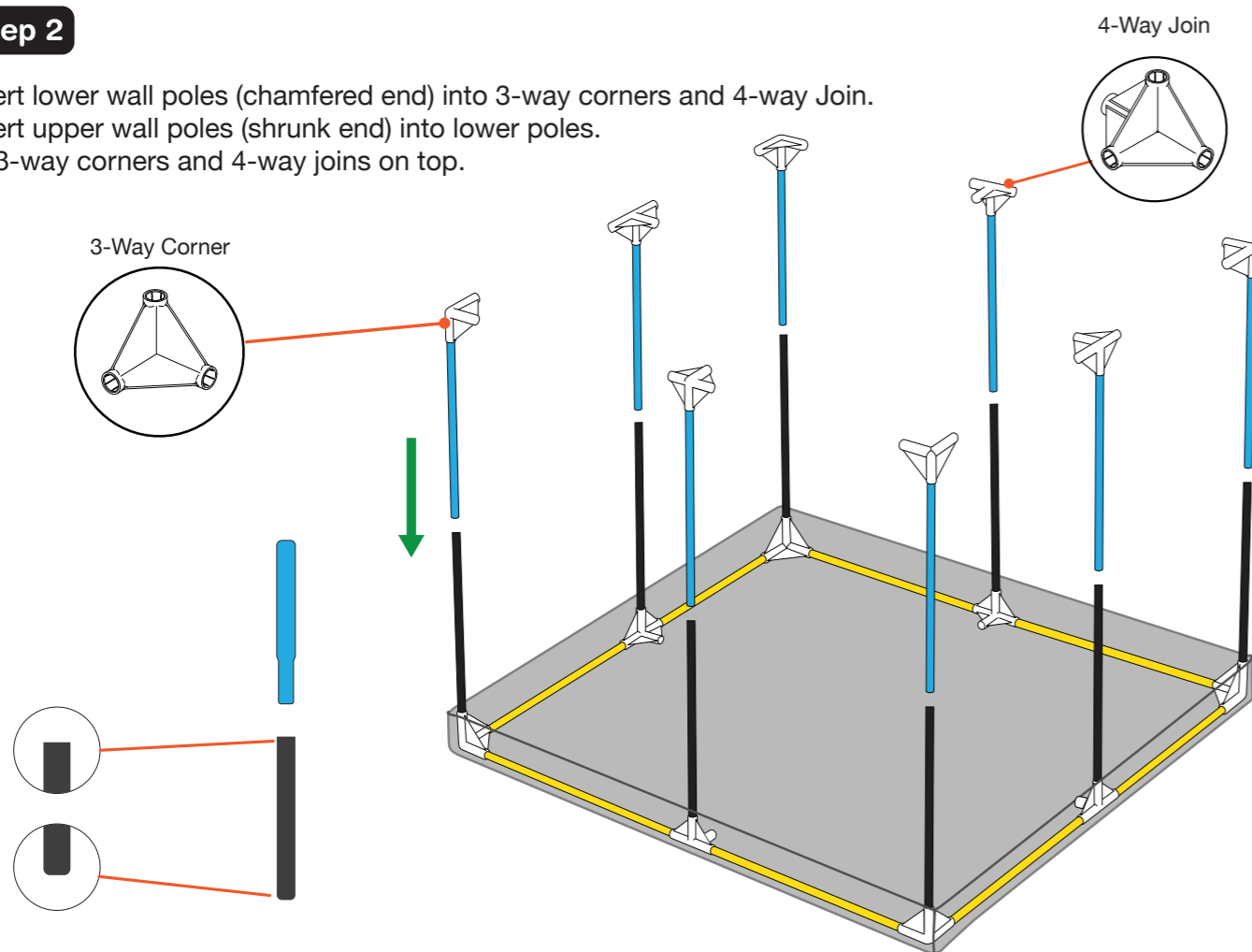
Step 3

Insert ceiling poles into 3-way corners and 4-Way joins.
Fit centre securing ring over pole before fitting to 4-way join.
Fit centre ceiling poles into straight pole connectors.



Step 2

Insert lower wall poles (chamfered end) into 3-way corners and 4-way Join.
Insert upper wall poles (shrunk end) into lower poles.
Fit 3-way corners and 4-way joins on top.



Step 4

Fit support pole.
Lift tent over roof as shown.

